

themo

INSTALLATION AND OPERATION MANUAL

Table of contents

1. Technical Specifications	4-5
2. Safety Instructions	6-7
3. Mounting Instructions	8-17
4. Configuring	18
5. Warranty	19
6. Disposal Instructions	20

Manufacturer:

Smart Load Solutions OÜ, Masti 17, 11911, Tallinn, Estonia

EU Declaration of Conformity

The product is in conformity with the provisions of the following EC Directives, including all amendments, and with national legislation implementing these directives:

Low Voltage Directive 2014/35/EC

EMC Directive 2014/35/EC

The following harmonized standards were applied:

EMC EN 55024:2011

EMC EN 55022:2011

Safety IEC 60950-1

Said object complies with Directive 2011/65/EC (RoHS 2) Restriction of Hazardous Substances in Electrical and Electronic Equipment

1. Technical Specifications

Operation voltage

220-240 V, 50 Hz

Standby power consumption

Max. 1,8 W

Relay

Max. 16 A / 3000 W @ 230 V

Supported sensors

NTC 6,8 kOhm at 25°C

NTC 10 kOhm at 25°C

NTC 12 kOhm at 25°C

NTC 15 kOhm at 25°C

NTC 22 kOhm at 25°C

NTC 33 kOhm at 25°C

NTC 47 kOhm at 25°

Cable specification max

1x4 mm 2

Temperature range

Offline manual mode: 13-41°C

Online automatic mode: 5-45°C

Dimensions

W70 x L70 x H48 mm

Weight

120 g

Terminal block

screw tightening torque

0.5Nm

Radio

IEEE802.11 b/g/n 2.4GHZ-2.5GHZ

Buttons

1x Capacitive Touch

Material

ABS/PC

Colour

White

Mounting

In-wall mounted

IP class

21

Protection class

Class II

Humidity

Max 85% relative humidity

STORAGE CONDITIONS

Ambient Temperature

-10°C to +50°C

Rel. Humidity

5% to 85% (non-condensing)

OPERATING RESTRICTIONS

Altitude

2000m above sea level

Ambient Temperature

0-40°C

Level of pollution

2

2. Safety instructions

Make sure the main supply to the thermostat is turned off before installation!

Important: When the thermostat is used to control the floor heating element in connection with a wooden floor or similar material, always use a floor sensor and never set the floor temperature to more than 35°C.

Please note the following:

The installation of the thermostat must be carried out by an authorized and qualified installer according to local regulations;

- The thermostat must be connected to a power supply via all-pole disconnection switch;
- Always connect the thermostat to continuous power supply;

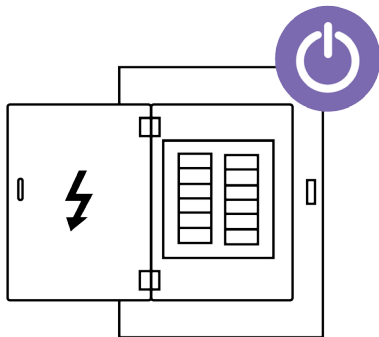
- Do not expose the thermostat to moisture, water, dust, and excessive heat;
- Children should be supervised to ensure that they do not play with the thermostat;
- Cleaning and user maintenance should not be made by children without supervision;

NB! THEMO requires working Wi-Fi in order to perform full functionality.

3. Mounting Instructions

1. Switch off power.

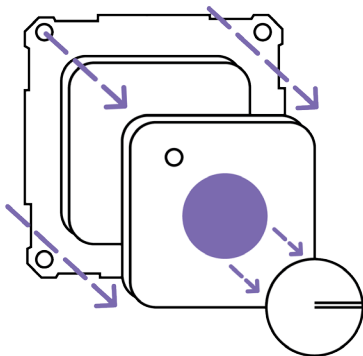
Switch off power to your heating equipment at your circuit breaker box. Verify that your existing thermostat should not be able to display any indication of operation.



2. Remove cover.

- Note: If you don't have an existing thermostat, skip to step 3.

Remove the cover of your old thermostat to reveal the wiring. Most covers snap off easily but some may be attached by screws. Screws are most commonly hidden behind the adjustment button.



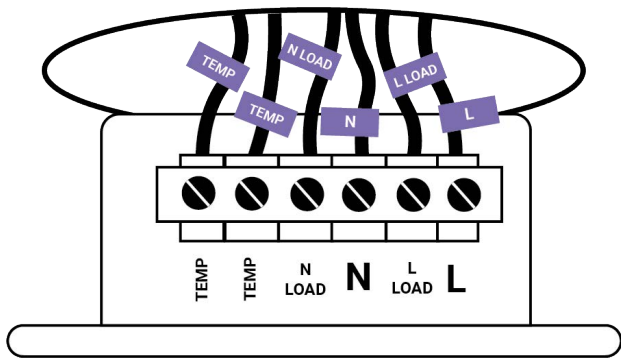
3. Label the wires.

Look at the wires coming out of the wall. Take a picture of the wires on your old thermostat to help you remember their alignment by colours.

You can write down the wire colors here:

Use the stickers provided in this guide to label the wires for connection to Themo thermostat.

If your old thermostat has more than one wire coming out from each connector, or you need additional help, contact service support.

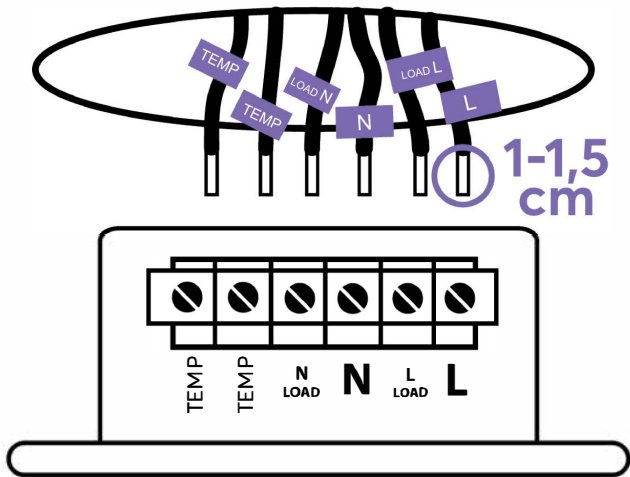


4. Disconnect and trim wires

Disconnect the labeled wires from the old thermostat base and remove the base from the wall using a screwdriver. Pull the thermostat wires out as far as possible.

- Note: Do not disconnect any capped wires which connect the screen of the heating cable and the earth conductor of the power supply cable.

The exposed part of the wire should be trimmed between 1 cm and 1.5 cm. Ensure the exposed wire is straight.



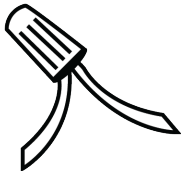
5. Reconnect wires.

Connect the Themo thermostat according to the connection diagram.

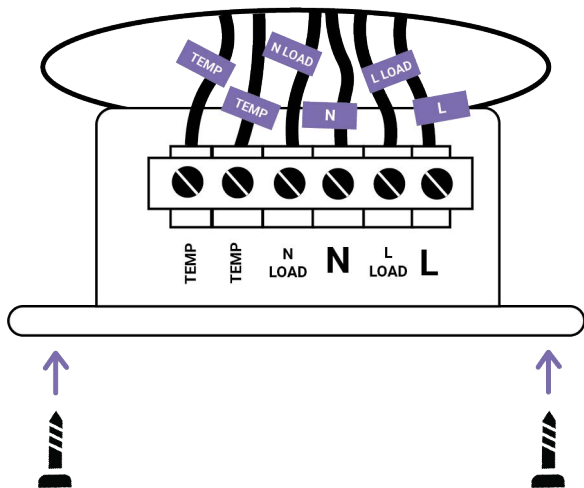
• **Tip:** If you are replacing an existing thermostat, use the stickers as a guide when inserting the wires into the Themo terminal blocks.

The wires from the wall should plug easily into the terminal blocks. Use a screwdriver to tighten the terminal screws. Fasten the thermostat firmly to a flush mounted wall box or an exterior wall box by driving the screws through the holes in each side of the thermostat.

Note: The screen of the heating cable must be connected to the earth conductor of the power supply cable using a separate connector (capped with wire nuts).

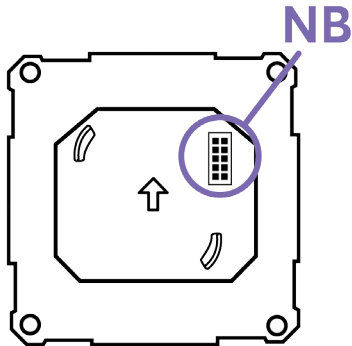


Carefully fit the thermostat to the in-wall socket and tighten the screws.



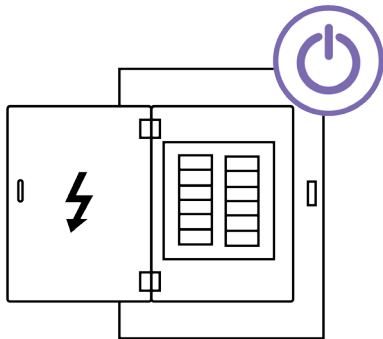
6. Attach front panel.

Add the frame before assembling the front panel to the base. Push the front panel in place. When connecting the front panel to the base, make sure that the female header will not bend the connectors. Press carefully until the front panel is fixed against the frame.



7. Switch on power.

Switch on the power to your heating equipment at your circuit breaker box. Watch Themo come alive!



4. Configuring

Download Themo mobile app to create a free account and follow the step-by-step instructions on screen to set up your device.



Or go to webpage:

app.themo.io/setup

5. Warranty

According to Consumer Protection Act all products purchased from www.themo.io or from respective reseller will have 2-year limited warranty. When using, or installing the product, it is required to follow instructions in this guide. Only manufacturing defects which can be traced back to the manufacturer will be under warranty.

Warranty is void when the product has been damaged or used incorrectly.

6. Disposal Instructions

Please consider the environment and recycle your old thermostat.

