

Product information



Themo Smart Thermostat

Intelligent floor heating thermostat that checks the electricity price when heating your floor.

Themo is an electronic thermostat for flush mounting in a standard wall box. The thermostat has a built-in Wi-Fi chip that can be connected with your home network. When connected to the internet Themo gets live pricing from the open electricity market, optimizes your heating cycles and allows you to save average 32,5% from your electricity bill.*

How does it work?



Smart schedule

Create a detailed 7-day schedule for your comfort needs. Themo will automatically optimize heating cycles to the lowest electricity tariffs follow the schedule.



Weather adaption

Themo is always monitoring thousands of details inside and outside your home to decide when to switch the heating on or off.



App controlled

Connect Themo to Wi-Fi to change temperatures and schedules from your phone, tablet or laptop.



Easy installation

Quickly set up with the online step-by-step installation guide.



Energy History

See when heating were on and how the heating has affected your electricity bill.



Works without internet

Switching off Wi-Fi during the night? Themo is designed to operate offline for a short time and optimize your heating even during temporary loss of internet connection.



Multiple schedules

Your everyday schedule changes with you. Create different heating scenarios and make quick switch between them.

Inside the box

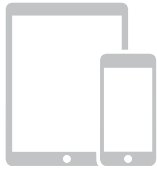
- Themo Smart Thermostat (for in-wall mounting)
- 10 kOhm NTC temperature sensor
- Installation and operating manual
- Wall frame Merten System M
- 2 wall mounting screws
- Wire cap



EAN: 4748001006251

Functions

Designed for mobile use



Themo has been developed for mobile phone and tablet use. The settings are most easily controlled using the Themo mobile app. It is available for iOS (> Version 12.4) and Android (> Version 7.0). The app is free.

Besides the control of settings and management of data, the Themo app also provides a detailed report of the heating history and a feature to compute a savings estimate.

Heating modes

There are three different heating modes.



Off: When set to Off, Themo only heats when the room temperature drops below frost protection temperature (default is 5°C) to avoid frost damage.



Schedule: When set to schedule, Themo controls the heating based on the schedule. It can be adjusted to the preferred home, away and sleep temperatures. The optimal heating cycles are set by Themo depending on the real time electricity prices and network tariffs set by the user.

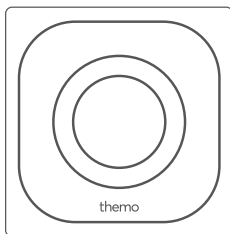


Manual: When set to Manual, Themo keeps the floor or room temperature at the selected set point temperature indicated from the mobile app.

Light indications

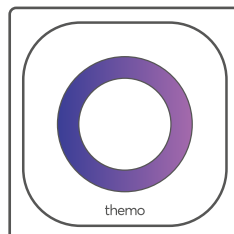
Off

When in off mode, all lights are switched off



Schedule

When set to schedule, Themo indicates low or high electricity price for the current and up-coming three hours using colors set by the user.

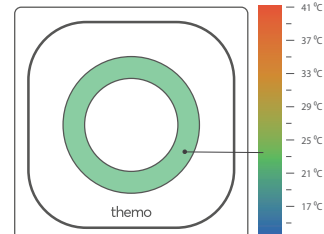


Low price High price



Manual

When set to Manual, Themo indicates low or high temperature setpoint set by the user.

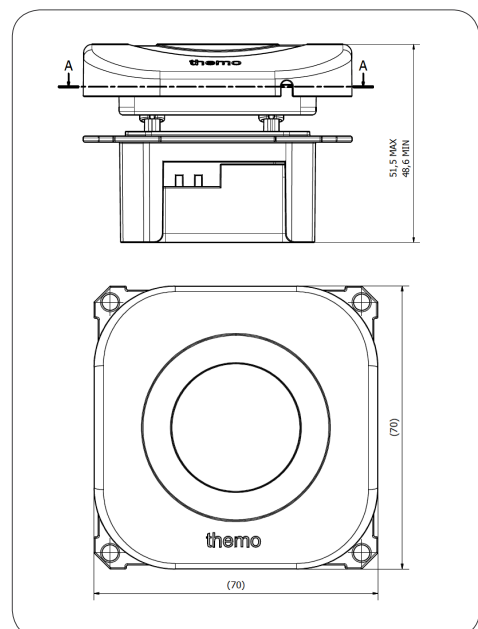
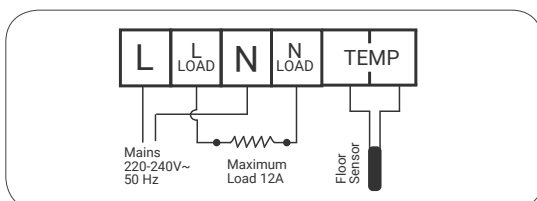


Mechanical design

Wiring interface

Themo Smart Thermostat supports only 230V interfaces and is intended for in-wall mounting. The wiring diagram on the back of the device shows the wiring for the relay operation. Proper connection of the floor sensor is mandatory for the thermostat to operate correctly.

Detailed installation instructions are provided in the installation manual included with thermostat.



Features

- Smart schedule
- Weather adaption
- Energy history
- Themo app
- Button/child lock
- Display on/off switch
- Offline heating
- Multiple schedules
- Software updates over Wi-Fi
- Electricity price view
- Temperature limiter
- Frost protection

Specifications

Sensors

- floor temperature sensor
- room temperature sensor

Operation Voltage

220-240 V, 50 Hz

Standby power consumption

Max 1,8 W

Relay

Max 12 A / 2760 W @ 230 V

Supported floor sensors

- NTC 6,8 kOhm @ 25°C
- NTC 10 kOhm @ 25°C
- NTC 12 kOhm @ 25°C
- NTC 15 kOhm @ 25°C
- NTC 33 kOhm @ 25°C
- NTC 47 kOhm @ 25°C

Floor temperature limit

Maksimum allowed temperature 45°C

Frost protection

5 to 12 °C (default 5 °C)

Connection Clamps

Use 1,5 mm² or 2,5mm² cables according to power need.

Dimensions

W70 x L70 x H48 mm

Weight

120 g

Internet connection

WiFi 802.11 b/g/n 2.4GHZ-2.5GHZ

Buttons

1x Q-Touch capacity touch

Remote control requirements

- Wi-fi connection with internet access
- Themo app on phone or tablet with iOS or Android
- Free Themo account

Display

Configurable 16x RGB LEDs

Material and finish

ABS + PC plastic/ white, glossy

Languages

- English
- Estonia
- Finnish
- Russian

Regulatory Conformity

EU declaration of Conformity

Electrical safety and electro-magnetic compatibility for this product is covered by the compliance with the NE/IEC standard „Automatic electrical controls for household and similar use“:

- EN/IEC 60730-1 (general)
- EN/IEC 60730-2-9 (thermostat)



Warranty

According to Consumer Protection Act all products purchased from www.themo.ee or from respective reseller will have 2-year limited warranty.